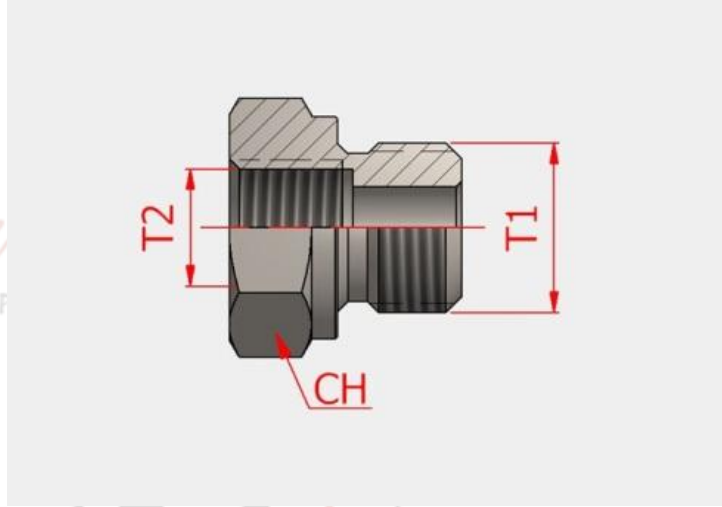


Products > Fittings > Muffs-Reductions BSP Short Type Reduction



Technical Specifications

Stock Code	T2	T1	CH
THR 51550-04-02	R1/4" - 19	R1/8" - 28	19
THR 51550-06-02	R3/8" - 19	R1/8" - 28	22
THR 51550-06-04	R3/8" - 19	R1/4" - 19	22
THR 51550-08-06	R1/2" - 14	R3/8" - 19	27
THR 51550-08-04	R1/2" - 14	R1/4" - 19	27
THR 51550-16-06	R3/4" - 14	R3/8" - 19	32
THR 51550-16-08	R3/4" - 14	R1/2" - 14	32
THR 51550-24-08	R1" - 11	R1/2" - 14	41
THR 51550-24-16	R1" - 11	R3/4" - 14	41
THR 51550-32-16	R1" 1/4 - 11	R3/4" - 14	50
THR 51550-32-24	R1" 1/4 - 11	R1" - 11	50
THR 51550-36-24	R1" 1/2 - 11	R1" - 11	55
THR 51550-36-32	R1" 1/2 - 11	R1" 1/4 - 11	55



DKC Trade
DKC DIŐ TİCARET DANIŐMANLIK SANAYİ A.Ő.

Main Adress: Karatuz Cd. İŐ Turkuaz Sitesi A3 Blok 57/28 Bađlıca/Etimesgut/Ankara
Office Adress: Serhat Mh. 1354 Sk. No:6 Yenimahalle / Ankara
Phone: 03122343371 Cell: 05306281321

www.dkctrade.com